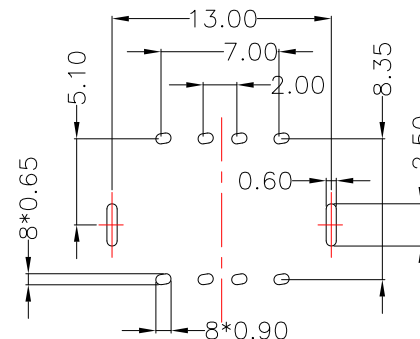




SUA-210V2CI-x-S236

COLOR :

- Black : B
- White : W



RECOMMENDED PCB LAYOUT

SPECIFICATIONS

Electrical:

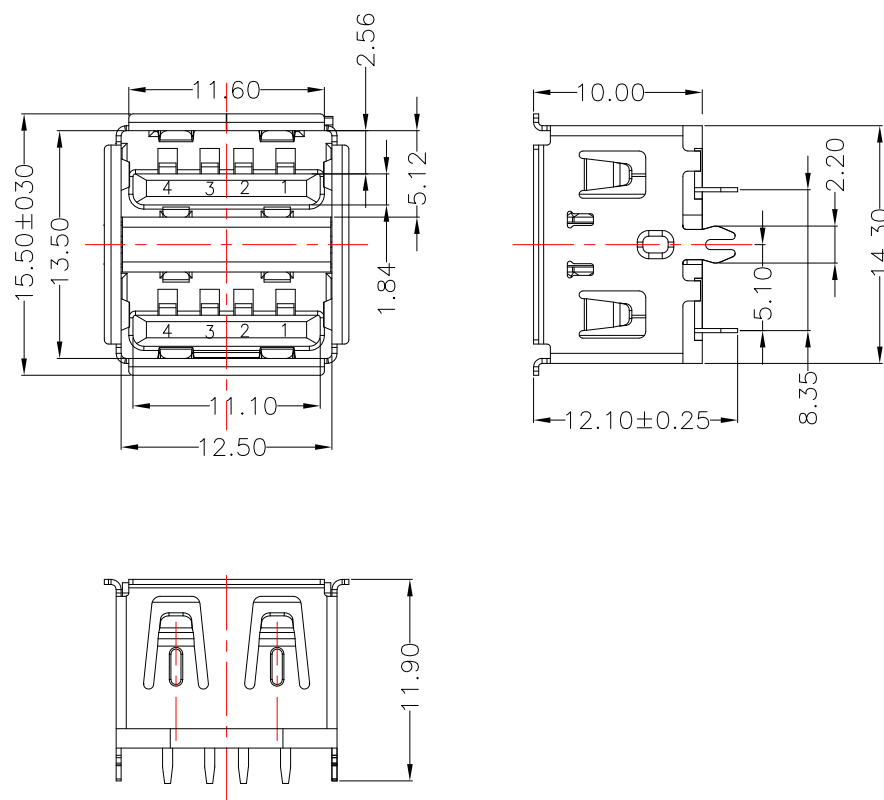
- 1.Contact Resistance: 30 mΩ Max
- 2.Insulation Resistance: 1,000 MΩ Min
- 3.Dielectric Withstanding Voltage: 500V AC
- 5.Mating Force: 35N Max
- 6.Umating Force: 10N Min

Material:

- 1.Housing: PBT
- 2.Contact: Brass
- 3.Shell: Spcc

Finish:

- 1.Contact: Plated Gold in Mating Area ;
Tin Plated on Solder Balls ;
Nickel under plated overall
- 2.Shell: Nickel under Plated surface layer



						DRAWN BY: DATE		MAT'L		TITLE		CONNECTOR	
						Jack Lu 09/17/20				MODLE		USB AF 180度 直立式短體10.0有捲邊 雙層	
						CHECKED BY: DATE		FINISH		DWG NO.		SUA-210V2CI-x-S236	
						Jacky Chen 09/17/20		SCALE		1 : 1		SIZE	
						APPROVED BY: DATE		SHEET NO.		PART NO.		VER	
						Tony Kao 09/17/20		1 of 1		SUA-210V2CI-x-S236		R	

CONTACT 建倚科技股份有限公司
CONTACT TECHNOLOGY CORP.

TOLERANCE UNLESS OTHERWISE STATED :
 Up to 5 ±0.2
 Above 5 ~ 15 ±0.3
 Above 15 ~ 30 ±0.4
 Above 30 ~ 50 ±0.5
 Angle ±0.3°

3RD. ANGEL'S

UNITS MM